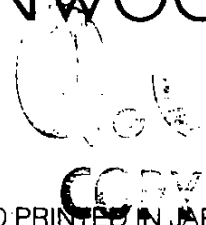


# KFC-6962

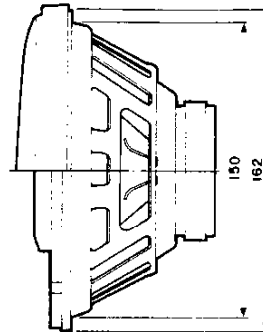
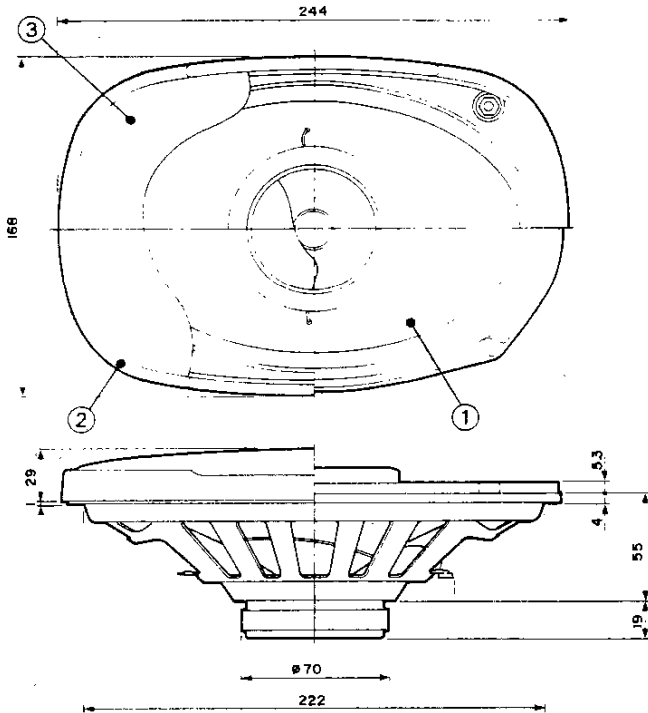
## SERVICE MANUAL

# KENWOOD



©1989-10 PRINTED IN JAPAN  
B51-6092-00(T) 1198

### EXTERNAL VIEW

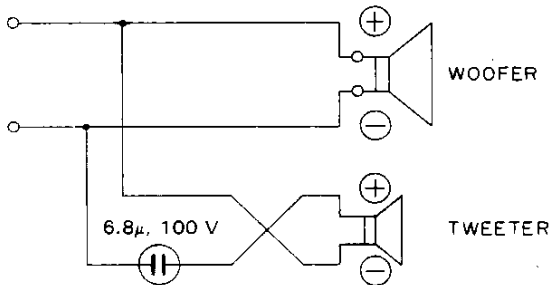


UNIT: mm

### PARTS INCLUDED

- (M4-70mm) ..... x8
- (φ4-40) ..... x8
- M4 ..... x8
- φ4 ..... x8
- M4 ..... x8
- M4 ..... x8
- 5m(16.4ft) ..... x2
- ..... x1

### SCHEMATIC DIAGRAM



### SPECIFICATIONS

- Woofer ..... 6×9 in cone type,  
5.6 oz magnet
- Tweeter ..... 2-1/2 in cone type,  
2.2 oz magnet
- Peak power ..... 75 W
- Sensitivity ..... 91 dB/w at 1 m
- Impedance ..... 4 ohms
- Weight per speaker with grille ..... 1.04 kg (2.3 lb)/pc.

(KENWOOD follows a policy of continuous advancements in development.  
For this reason specifications may be changed without notice.)

### PARTS LIST

★ New parts  
Parts without Parts No. are not supplied.  
Les articles non mentionnés dans le Parts No. ne sont pas fournis.  
Teile ohne Parts No. werden nicht geliefert.

Ref No.	New Parts	Parts No.	Description
②	★	B06-0376-08 E30-1457-08	FRONT GRILLE SPEAKER CORD
③	★	F09-0937-08 N99-0218-08	PROTECTOR SCREW SET
①	★	T15-0147-08	SPEAKER